



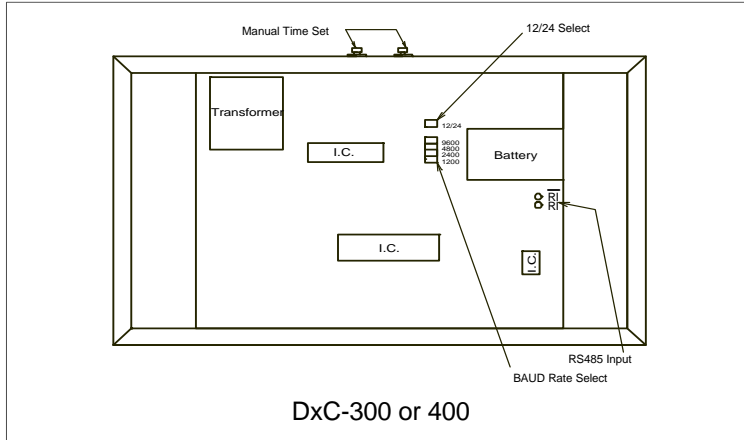
Midwest Time Control

TIMELESS RELIABILITY SINCE 1988

DIGITAL SECONDARY CLOCKS

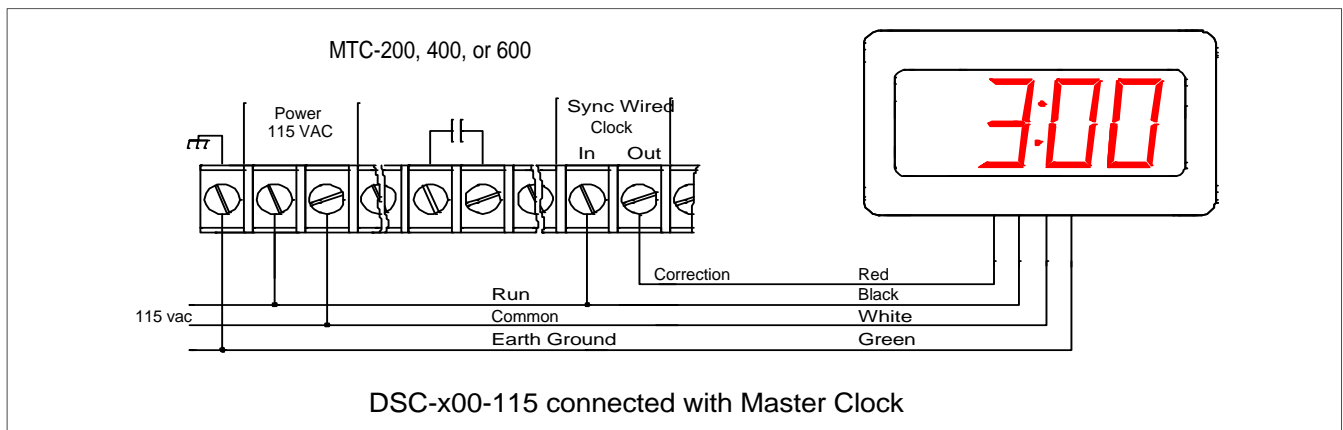
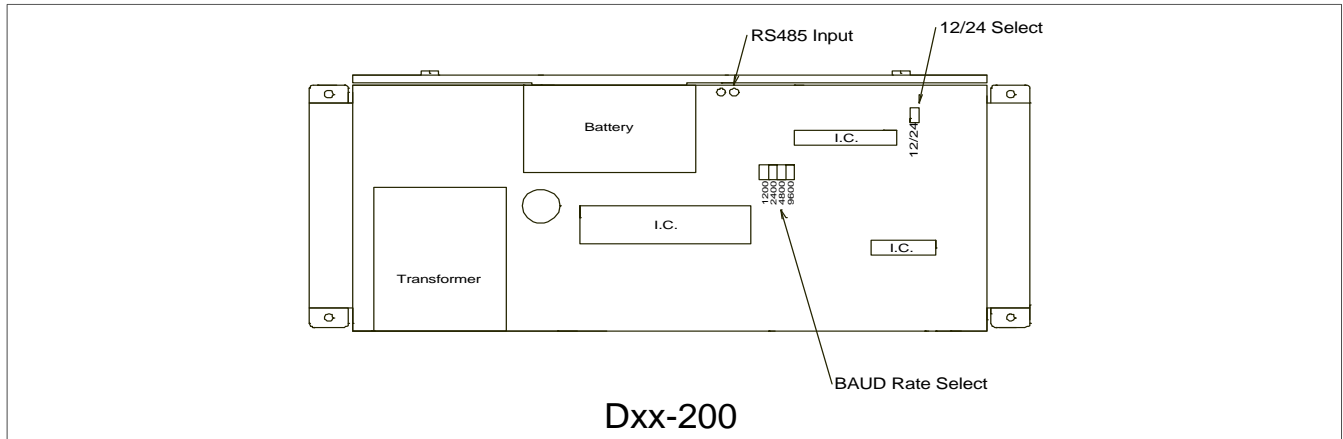
Installation Instructions

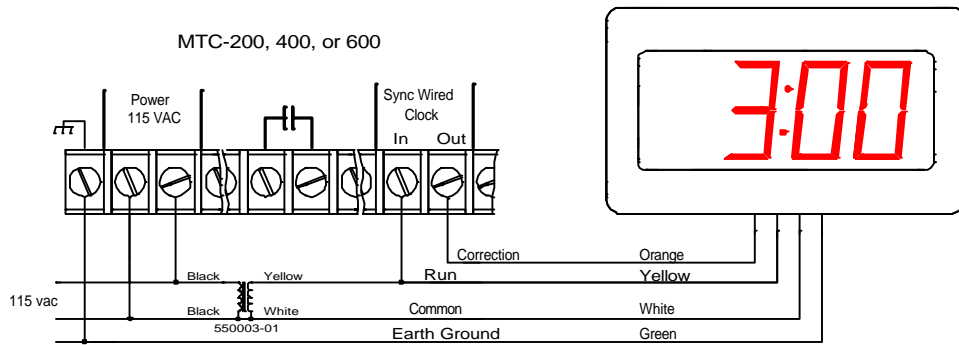
(All Models: DSC-200, DSC-300, DSC-400, etc.)



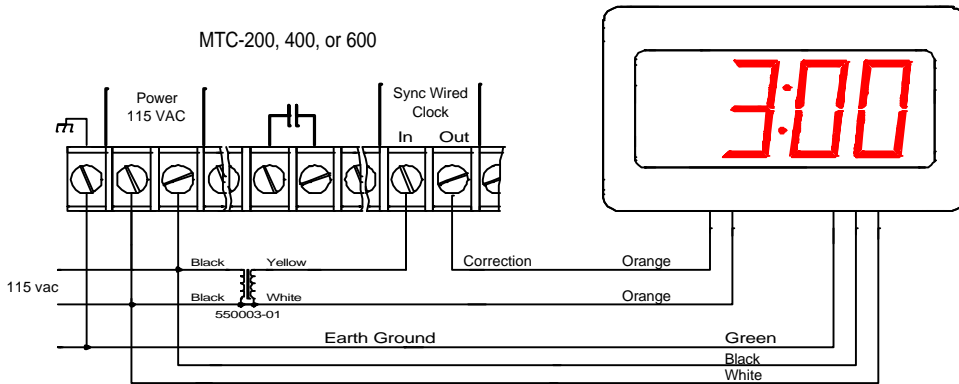
12/24 Select - Removing the jumper will allow the clock to display time in a 24 hour format (0:00 thru 23:59)

BAUD Rate Select - Used to select the BAUD rate on R485 versions. The BAUD rate must be the same on all connected equipment. Only 1 BAUD rate may be selected.

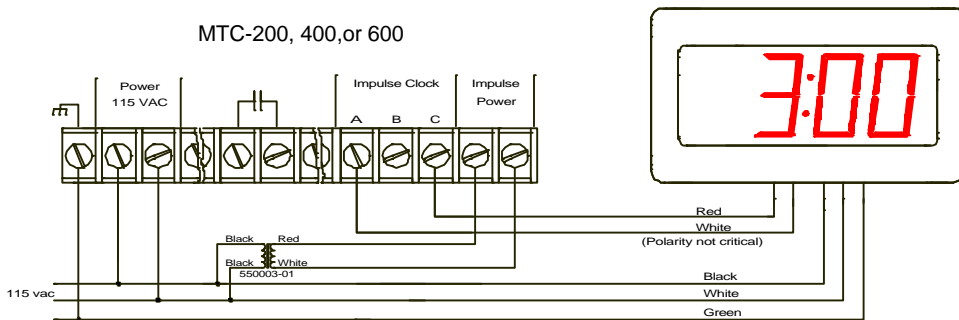




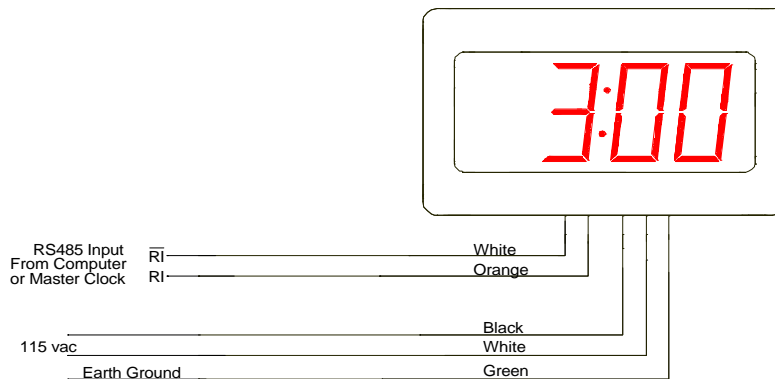
DSC-x00-24 connected with Master Clock



DSC-x00-115/24 connected with Master Clock
(2 connectors)



DSC-x80-115 connected with Master Clock
(2 connectors)



DRC-x00-115 (RS485 Correction)
(2 connectors)