



DIGITAL WALL CLOCKS

MidWest Time Control's Digital Wall Clocks cover a wide variety of requirements for accurate and easy to read time displays. They are highly accurate electronic clocks with 100% solid state circuitry, no moving parts to wear out. The Time is shown on a 4 Inch Red LED display (Seconds Characters are 2.3 inches).

The clock is enclosed in a high impact ABS plastic housing. The Clocks are surface mounted on a single or double gang outlet box. For use in hallways, a Double Dial Hanger Bracket is available. The display should be visible under normal lighting conditions from distances exceeding 100 feet.

The clock timing is line synchronous for long term accuracy. An Internal Time Base continues to maintain the correct time during periods of power failure. An Alkaline Battery is supplied with each clock for powering the internal time base.



Standard Features

- * Four Digit Red 4 inch LED Display
- * Line Synchronous Timing - 60 Hz
- * Wired Synchronous Secondary
- * Battery Back Up for time keeping
- * Manual Time Set Buttons
- * 12 or 24 Hour Display
- * Mating Connector Supplied
- * 115 VAC Power

Optional Features:

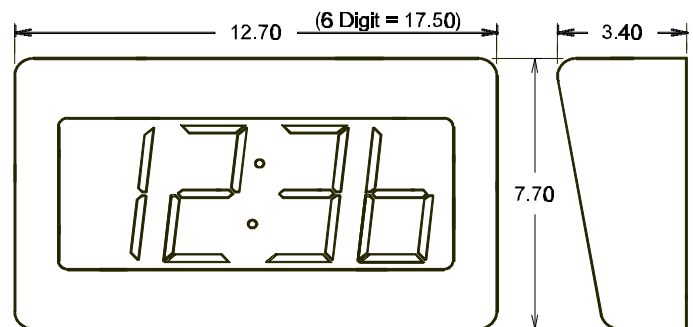
- * Rechargeable NiCad Battery
- * RS485 Correctable
- * Master Clock (Wired Synchronous or RS485)
- * Six Digits (Hours, Minutes, Seconds)
- * 220 VAC Power
- * One Circuit Bell Scheduler
- * Elapsed Time Clock with Remote control
- * Six foot Line Cord

Special Order Features (No Charge)

- * Hours, Tenths, Hundredths Display
- * Minute Impulse Secondary
- * Line Synchronous - 50 Hz
- * 24 VAC Power
- * Mixed Voltage (Power and Correction)

Specifications

Operating Power 115 VAC 60 HZ 5 VA
 (24 & 230 VAC and 50 HZ Available)
 Weight Approx. 3 Lbs.
 Battery Reserve (Alkaline) - Approx. 20 Hours
 (NiCad) - Approx. 5 Hours



Ordering Information

Model

DIC = Independent Clock
DSC = System Clock
DRC = Computer Correctable (RS485)
DMC = Master Clock
DPC = One Circuit Bell Ringer
DET = Elapsed Time Clock
DTC = Digital Timer Clock

Correction

30 = Sync. correction (Simplex Timing)
31 = Sync. correction (Standard Timing)
32 = Sync. correction (National Timing)
37 = Minute Impulse, 58th Minute
38 = Minute Impulse, 59th Minute

Display Format

0 = Four Digits (Hours, Minutes)
1 = Four Digits (Hours, Tenths, Hundredths)
6 = Six Digits (Hours, Minutes, Seconds)

Some variations can be combined for greater flexibility, consult the factory with your requirements.

Custom versions of this Digital Clock (Count Down Timer, Special Time Update Schemes, etc.) are available. Consult the factory for these special needs.

Independent Clock is line synchronous. The accuracy is within 3 seconds per year with continuous application of power. (Example: DIC-300-115)

Wired Synchronous System Clock is synchronized by a correction signal from a master clock. It may be configured to respond to most industry standard correction signals. (Example: DSC-300-115)

Impulse System Clock is line synchronous and is synchronized with a minute impulse master clock by detecting the end of the rapid correction pulses occurring each hour. The Minute Impulse signal may be 58th or 59th minute correction. It may be a two or three wire system. (Example: DSC-380-115)

Computer Correctable Clock (RS485) is correctable by 2 wire (RS485) communication from a computer system. It can also be synchronized from the RS485 output of MidWest Time Control's master clocks. The RS485 Baud Rate is selectable at 1200, 2400, 4800 or 9600. The RS485 communication line may be shared with multiple devices. RS485 signals are easily derived from RS232 ports that are available on most computer systems. (MidWest Time Control offers a RS232 to RS485 signal converter for this purpose.) (A PC based software package is available.) (Example: DRC-300-115)

Master Clock (Wired Synchronous) provides correction signals to wired synchronous secondary clocks. It may be configured to correct most available wired synchronous secondary clocks. The correction signal relay contact rating is 10 Amps. @ 115 VAC Resistive. (Example: DMC-300-115)

Master Clock (RS485) provides the RS485 correction signals for synchronizing the Computer Correctable clocks. The correct time is placed on the RS485 bus every 2 seconds. The Baud Rate is programmable by jumper selection at 1200, 2400, 4800 or 9600. (Example: DRMC-300-115)

One Circuit Bell Ringer has an auxiliary relay circuit for ringing bells. The bell duration may be 1 to 59 seconds and may be actuated up to 125 times a day. The bell schedule is programmed into a integrated circuit and may be changed by replacing that circuit. Initial customer bell schedule programming is at no charge. MidWest Time Control provides a programming service for changing the bell schedule and will supply additional integrated circuits for customers whose schedules change periodically. A MOMENTARY ON-OFF-AUTO switch is mounted on the clock enclosure to manually actuate or disable the bell circuit. The Bell circuit relay contact rating is 10 Amps @ 115 VAC resistive. (Example: DPC-300-115)

Elapsed Time Clock is a count up type timer. Time is user selectable for Hours-Minutes or Minutes-Seconds. The clock is controlled by 2 switches, ON-OFF(Reset) and START-STOP. The control switches may be supplied as a hand held remote or wall mount switch plate. (Example: DET-300-115)

Digital Timer Clock is a count up or count down timer and a wired synchronous secondary clock. The clock will display the time of day when not used for timing functions. All functions are controlled by a remote wall mount switch plate. (Example: DTC-300-115)