

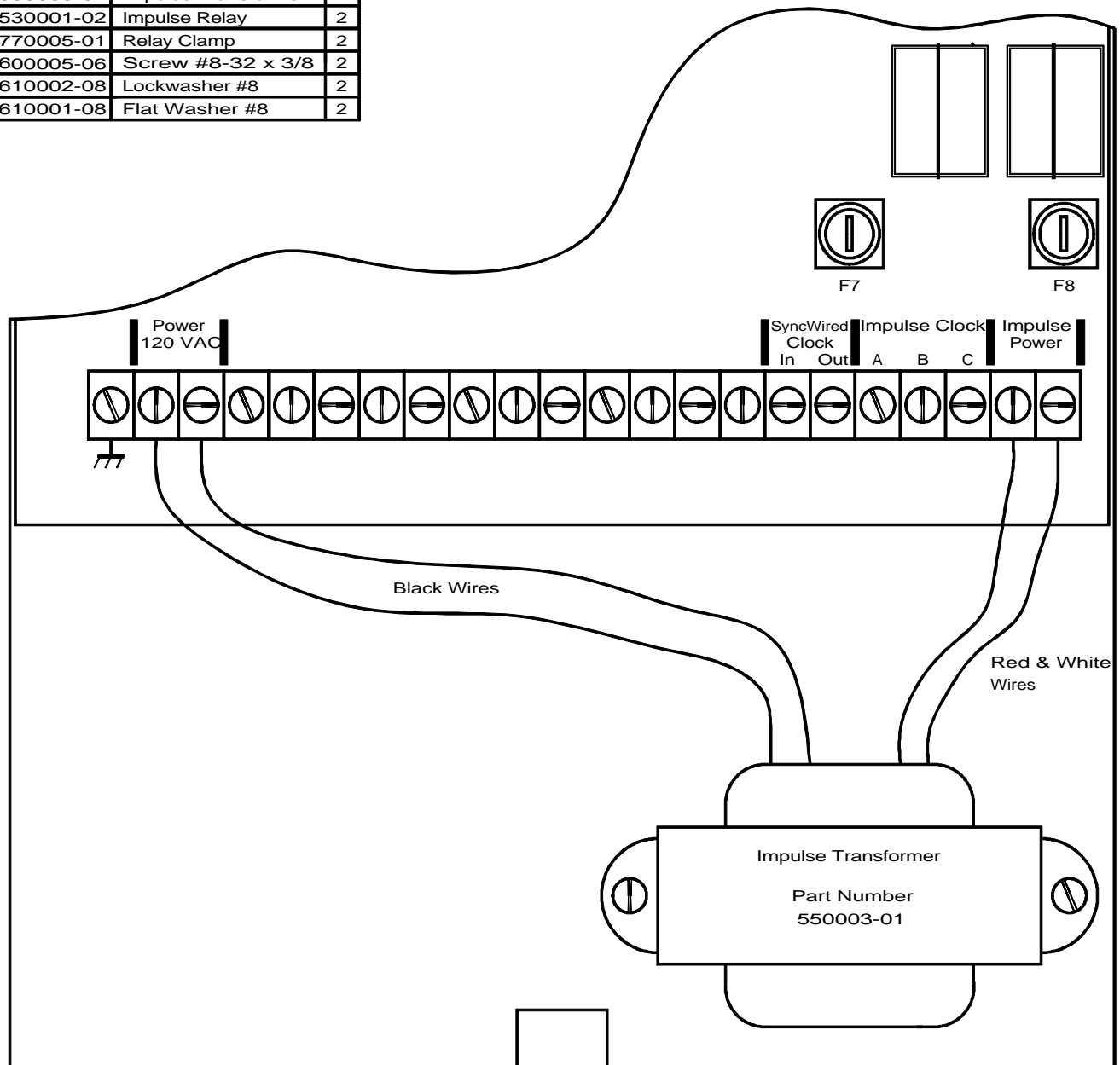


INSTALLATION INSTRUCTIONS MTC-xxx Impulse KIT

PARTS LIST

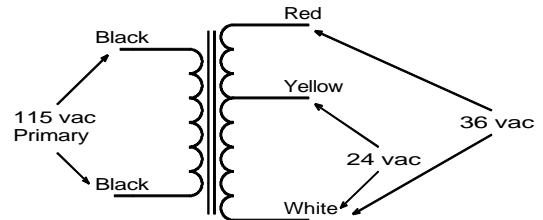
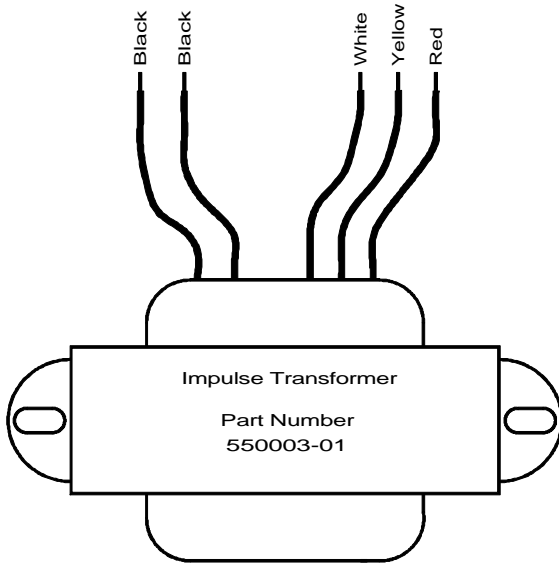
Part No.	Description	Qty
550003-01	Impulse Transformer	1
530001-02	Impulse Relay	2
770005-01	Relay Clamp	2
600005-06	Screw #8-32 x 3/8	2
610002-08	Lockwasher #8	2
610001-08	Flat Washer #8	2

Impulse Relays
With Clamps





IMPULSE TRANSFORMER 550003-01



CAPACITIES

- 4 Amps - Used with MTC-xxx to power Impulse Sec. Clocks (Approx. 100 Clocks) (Using 36 vac output)
- 2 Amps - Continuous, used to power 24 vac clocks with 24 vac correction (Approx. 16 Analog Clocks) (Approx. 10 Digital Clocks)

WIRING FOR LOW VOLTAGE WALL CLOCKS

