



Power Booster PB-107

The PB-107 Power Booster is designed to allow the MTC series Master Clocks to control and correct dual voltage minute impulse clock system (Cincinnati Time Model D1).

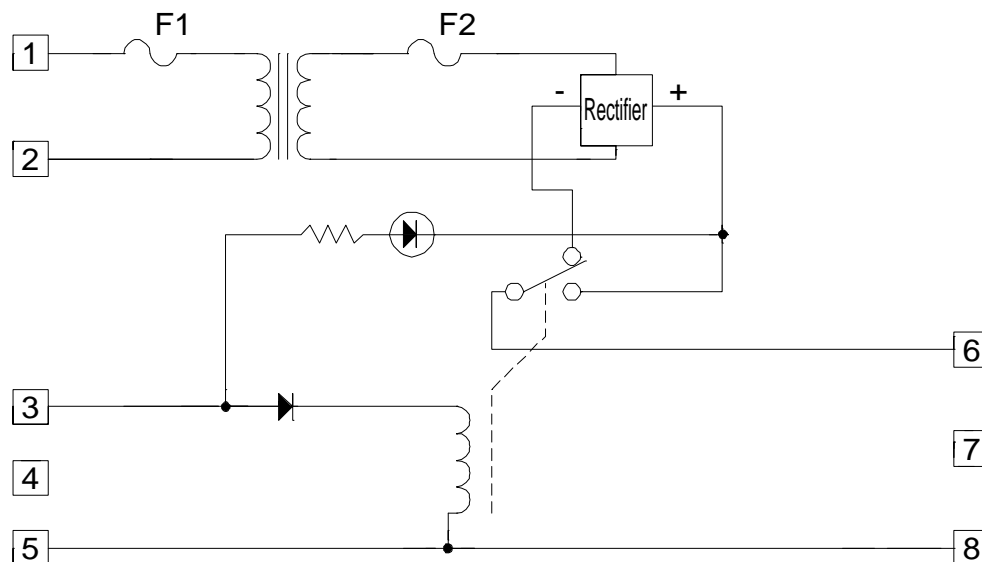
The power booster is installed in series with Master Clock. (The Master Clock must be equipped with an Impulse Kit.) The output of the power booster will also be the correct voltages for the clock system. The output of the power booster will also be the correct polarity for the normal 2-wire reverse polarity minute impulse clocks.



Specifications:

Input Power: 115 VAC @ 1.5 Amps

Output Power (minimum): 24 VDC and 60 VDC @ 4 Amps



PB-107 Functional Schematic