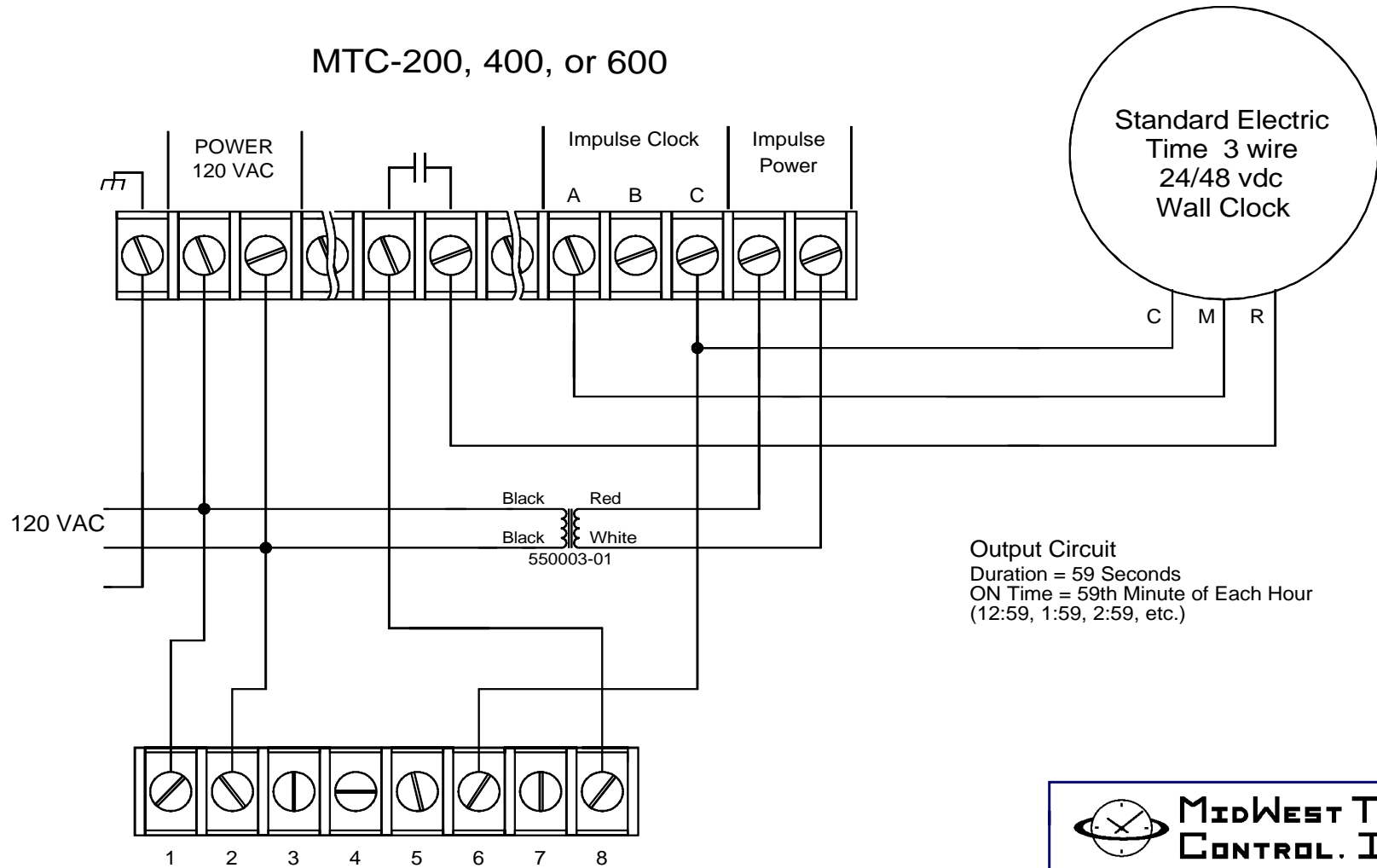


MTC-200, 400, or 600



Standard Electric
Time 3 wire
24/48 vdc
Wall Clock

Output Circuit
Duration = 59 Seconds
ON Time = 59th Minute of Each Hour
(12:59, 1:59, 2:59, etc.)

24/48 VDC Power Supply



Title: Wiring Diagram - Standard Electric
Time 3 Wire 24/48 Impulse Clock

Drawing Number: _____ REV

| | | | | |
|-----------|-------|---------|--------------------|----------|
| ENGINEER: | DATE: | SCALE / | DO NOT SCALE PRINT | SHEET OF |
|-----------|-------|---------|--------------------|----------|