



Midwest Time Control

TIMELESS RELIABILITY SINCE 1988

Secondary Wall Clocks

Analog Dial

Midwest Time Control Secondary Wall Clocks are designed for a long and trouble-free life. Our solid state movements are precision crafted of durable materials.

Our MTC Master Clock series or its equivalent will control the correction signals to provide an accurate and synchronized multiple clock system.

Our 12" Clock Case is molded of Black textured high-impact ABS plastic in a choice of Surface or Semi-Flush mounts.

Our Lens is scratch-resistant, crystal clear glass and the dial is non-yellowing.

Concealed hanging brackets, designed to mount in most existing clock boxes, are a standard feature. (Mounting dimensions shown on back)

The clocks are furnished with color-coded wire leads terminated with an industry standard 4-pin connector and mating connector.



Specifications

Wired-Synchronous

Input Power

115 vac \pm 10% 60 Hz 4 VA (.035 Amps)

24 vac \pm 10% 60 Hz 4 VA (.167 Amps) Correction

Voltage

115 vac \pm 10% 60 Hz 3 VA (.026 Amps)

24 vac \pm 10% 60 Hz 3 VA (.125 Amps)

Wire Color

Black 115 VAC Run

Yellow 24 VAC Run

Red 115 VAC Correction

Orange 24 VAC Correction

White Common

Ordering Information

Model Number

Movement

ASC-115S

Wired Synchronous, 115 VAC, Surface Mount

ASC-115F

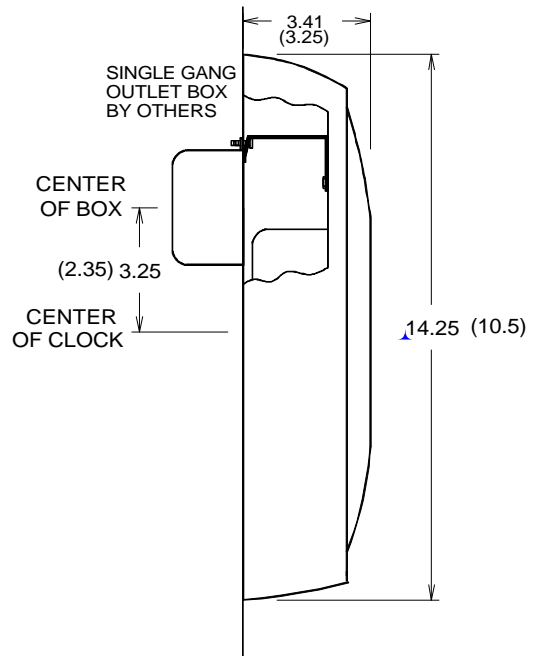
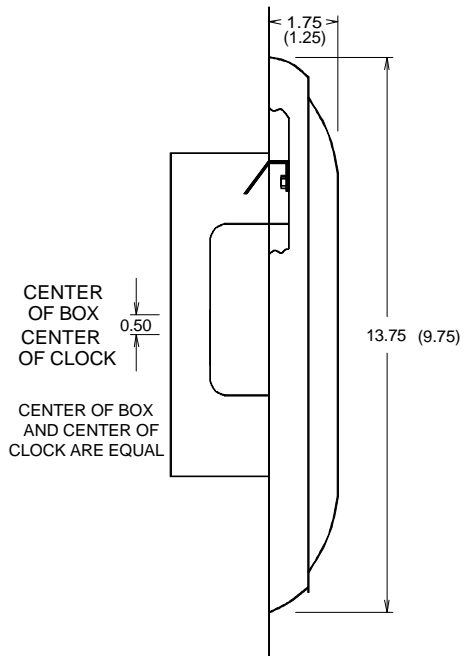
Wired Synchronous, 115 VAC, Flush Mount

ASC-24S

Wired Synchronous, 24 VAC, Surface Mount

ASC-24F

Wired Synchronous, 24 VAC, Flush Mount



Midwest Time Control
TIMELESS RELIABILITY SINCE 1988

Phone: (888)713-0373
FAX: (877)720-9291
sales@midwest-time.com

www.midwest-time.com