



Midwest Time Control

TIMELESS RELIABILITY SINCE 1988

DIGITAL WIRELESS CLOCKS

Midwest Time Control's Digital Wireless Clocks are designed to receive the wireless data transmitted from the WIC-100 Wireless Interface Clock. They are line synchronous for long term accuracy with 100% solid state circuitry, no moving parts to wear out. The time is shown on a 4 Inch red LED display (Seconds characters are 2.3 inches).

The high impact ABS plastic housing is surface mounted on a single or double gang outlet box. Enhanced by a non-glare lens, the time is visible under normal lighting conditions from distances exceeding 100 feet.

For use in hallways, a Double Dial Hanger Bracket is available.

MTC wireless clocks can also retransmit the time to other clocks on the system, allowing system expansion without the addition of expensive transmitters.



Standard Features

- * Four Digit Red with 2.3 inch or 4 inch LED Display
- * Line Synchronous Timing - 60 Hz
- * Manual Time Set Buttons
- * 12 or 24 Hour Display
- * Mating Connector Supplied
- * 115 VAC Power

Special Order Features (No Charge)

- * Hours, Tenths, Hundredths Display
- * 24 VAC Power

Specifications

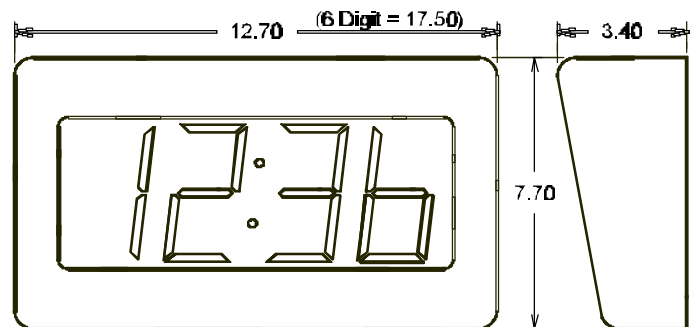
Operating Power 115 VAC 60 HZ 5 VA
 (24 & 230 VAC and 50 HZ Available)
 Weight Approx. 3 Lbs.

Optional Features:

- * Six foot Line Cord
- * Six Digits (Hours, Minutes, Seconds)

Model Numbers:

- * DWC-200-115 or DWC-200-24
(2.3 Inch - 4 Digit - Hours-Minutes)
- * DWC-300-115 or DWC-300-24
(4 inch - 4 Digit - Hours-Minutes)
- * DWC-306-115 or DWC-306-24
(6 Digit - Hours-Minutes-Seconds)



www.midwest-time.com

Toll Free: 888-713-0373 Fax: 877-720-9291
sales@midwest-time.com